
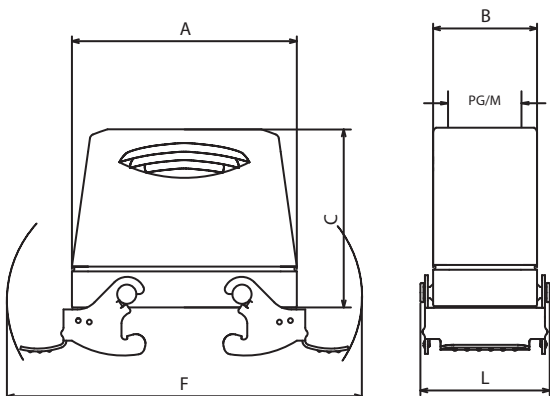


Hoods top entry with two levers <i>Custodie ingresso verticale con due leve</i>		Size <i>Grandezza</i>	Thread <i>Filettatura</i>	No. of poles <i>No. poli §</i>	Part No. <i>Codice</i>
 <p><b>HC - High Construction for IP68 cable glands</b>  <i>HC - Costruzione alta per pressacavi IP68</i></p> 		10B "57 x 27"	M 32	10	7810.5070.5
		10B "57 x 27"	M 40	10	7810.5071.5
		10B "57 x 27"	Pg 21	10	7810.5072.5
		10B "57 x 27"	Pg 29	10	7810.5073.5
		16B "77 x 27"	M 32	16	7816.5074.5
		16B "77 x 27"	M 40	16	7816.5075.5
		16B "77 x 27"	Pg 21	16	7816.5076.5
		16B "77 x 27"	Pg 29	16	7816.5077.5
		24B "104 x 27"	M 32	24	7824.5078.5
		24B "104 x 27"	M 40	24	7824.5079.5
		24B "104 x 27"	Pg 21	24	7824.5080.5
		24B "104 x 27"	Pg 29	24	7824.5081.5
		32B "77 x 62"	M 32	32	7832.5082.5
		32B "77 x 62"	M 40	32	7832.5083.5
		32B "77 x 62"	Pg 21	32	7832.5084.5
		32B "77 x 62"	Pg 29	32	7832.5085.5
32B "77 x 62"	Pg 36	32	7832.5086.5		

Size B <i>Grandezza B</i>	Poles <i>Poli</i>	A	B	C	F	L
57x27	10	73.5	43.5	77	127	54
77x27	16	94	43.5	77	147	54
104x27	24	120.5	43.5	77	174	54
77x62	32	94	83	90	147	93.5

- Types: STD For standard applications up to 500V for S-E, S-HSB, S-K inserts  
*Tipo: STD per applicazioni standard fino a 500V per inserti S-E, S-HSB, S-K*
- Recommended type for IP68 cable glands  
*Tipo raccomandato per pressacavi IP68*

§ Number of poles with S-E inserts  
*Numero di poli con inserti S-E*

500V